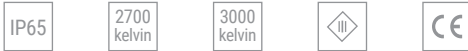


PORTABLE TABLE LAMP

for Interiors and Exteriors



# OTTO GOLD



BATTERY POWERED  
LOCAL CONTROL ON/OFF/DIMM  
SUITABLE BOTH FOR YACHT AND VILLA

### MATERIALS AND FINISHES

BLACK ANODIZED ALUMINUM BODY  
GOLD ANODIZED ALUMINUM LIGHT DIFFUSER  
PMMA LIGHT DIFFUSER

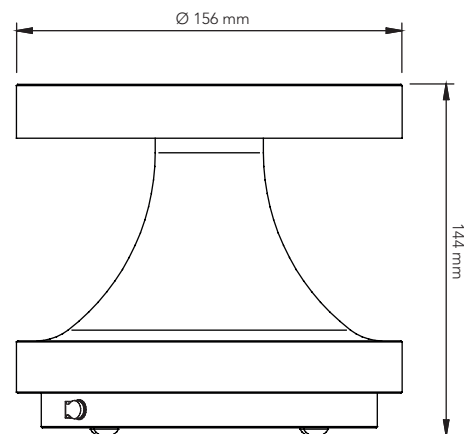
### APPLICATIONS

TABLE LIGHT  
WET AREAS

### TECHNICAL DATA

CCT: 2700 K (CODE ENDS IN "2 BG")/ 3000 K (CODE ENDS IN "3 BG")  
Li-Ion CHARGER: 100-240 Vac 50-60 Hz 2,5 A max  
DC 16,8 V --- 3 A (SUPPLIED)  
AUTONOMY: 9 h (MAX POWER)  
RECHARGE TIME: UP TO 2 h  
WEIGHT: 2,1 kg

### DRAWINGS



### CODE

45 OTTOS AG 01 D2 BG  
45 OTTOS AG 01 D3 BG