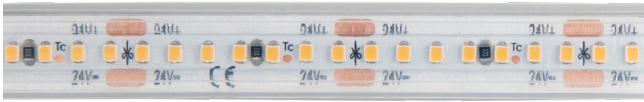


# PIXEL 280 HP IP67 WHITE

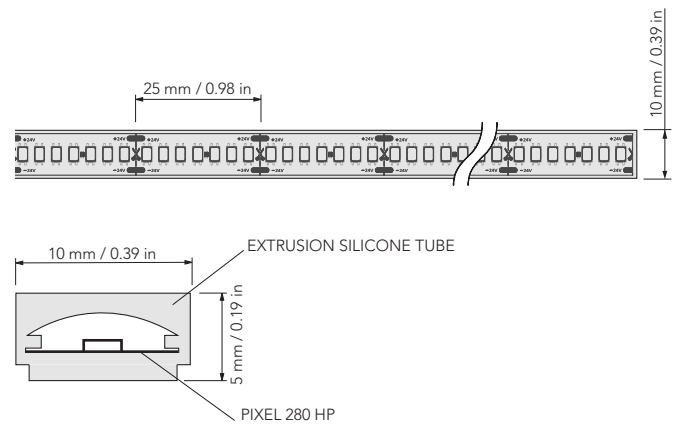


IP67 FLEXIBLE HIGH-POWER HIGH-DENSITY LED STRIP WITH AN EXTRUSION SILICONE TUBE AND 3M HIGH QUALITY ADHESIVE ON THE BACK. THE LED STRIP CAN BE USED IN ANY INDOOR AND OUTDOOR ENVIRONMENT TO HIGHLIGHT ARCHITECTURAL DETAILS OR INTEGRATED INTO FURNITURES TO ADD VALUES TO ANY SPACE. IT IS ADVISIBLE TO INSTALL THIS LED STRIP ON A METAL SURFACE TO ACT AS A HEATSINK.

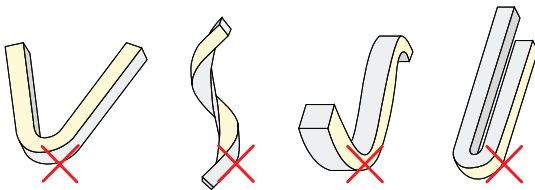
## TECHNICAL DATA

WATT/METER	15	VOLTAGE	24Vdc
LED/METER	280	SMD LED	2216
LUMEN/METER @3000K	1270	IP	67
CCT	2700K/3000K/4000K	CUT	25mm
CRI	>90	WIDTH	10mm
LIFETIME	>36.000h	LED SELECTION	ONE BIN
AMBIENT TEMP.	-25°C ~ +40°C		

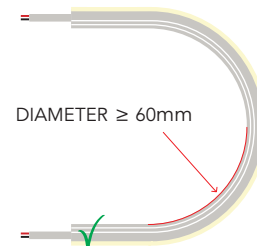
## DIMENSIONS



## TWISTS AND BENDS TO BE AVOIDED



## MIN BENDING DIAMETER



## CODES

LED STRIP 2700K (5m)	83PIXEL 280 8 15 2700 67
LED STRIP 3000K (5m)	83PIXEL 280 8 15 3000 67
LED STRIP 4000K (5m)	83PIXEL 280 8 15 4000 67

## REEL PACKAGING



THE LED STRIP WILL BE DELIVERED IN A 5m REEL PACKAGING.

